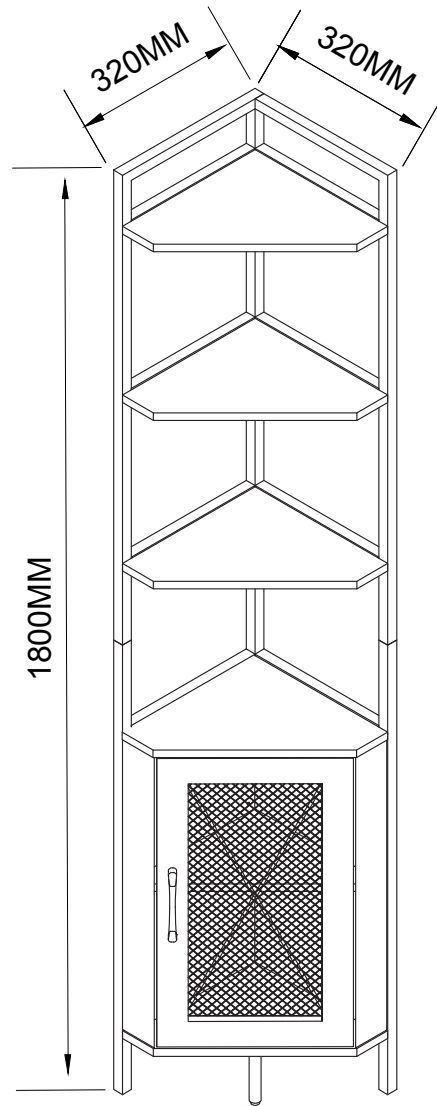


ASSEMBLY INSTRUCTION

FINNICK

CORNER BOOKCASE

ITEM CODE: 84889



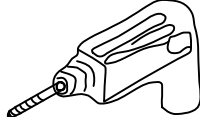

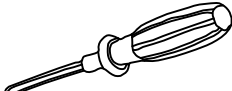


Imported by JWA Furniture Pty Ltd, Brisbane, QLD, Australia
For any assistance with assembly or for missing parts, please refer to your receipt

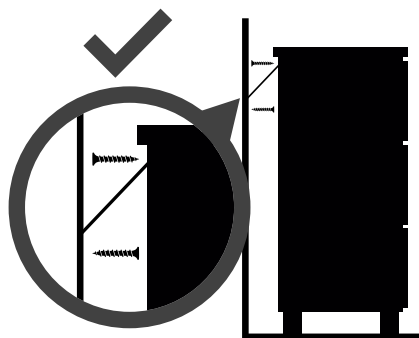
PRE-ASSEMBLY PREPARATION

Before you start:

1. Choose a clean, level, spacious assembly area. Avoid hard surfaces that may damage the product.
2. Take care when lifting. Product should be assembled as near as possible to the point of use.
3. Ensure that you have all required contents for complete assembly.
4. Always read the assembly instructions carefully before beginning assembly.
5. Keep all hardware parts and packaging out of reach of small children.
6. Do not over tighten the screws and bolts as this may damage the threads.
7. Assembly is to be carried out by a competent adult(s) ONLY.
8. During assembly, children should be kept away from the product due to possible risk to injury.
9. Do not use this item if any components are missing or damaged.
10. Please keep the instructions for future reference.

		IF REQUIRED 
Allow 30 min	For 1 person	Low speed (Ø6mm)
  ADDITIONAL TOOLS REQUIRED		

WARNING



Children have died from furniture tipover.

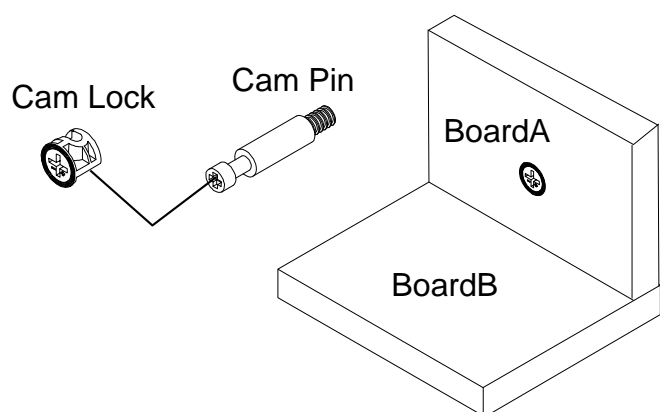
- ALWAYS secure it with an anchor device.
- NEVER allow children to stand, climb or hang on drawers, doors, or shelves.
- NEVER open more than one drawer at a time.
- Place heavy items down low

NEVER put a TV on this furniture



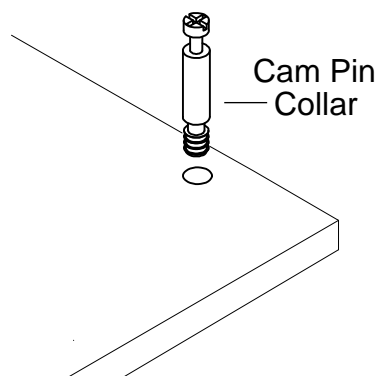
**This is a permanent label.
Do not remove!**

TO USE CAM LOCK FASTENERS



To assemble this product hardware called Cam Lock Fasteners are used. The below is information on how these work.

Cam Locks are fasteners used to join two boards together, usually the edge of one board (A) to the flat side of another board (B).

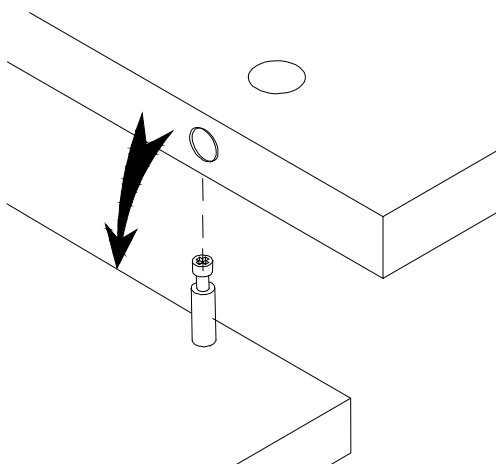


The Cam Pin is inserted into the flat side of a board, it is important that: The cam pin is kept vertical and is not put in on an angle.

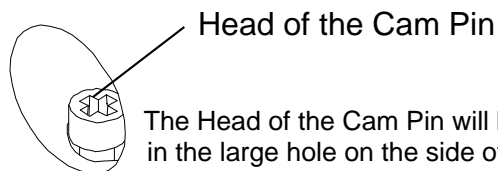
Cam pin is to be inserted up to collar

Too far and it wont catch the Cam Lock (Do Not Overtighten)

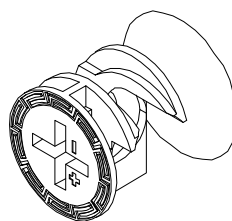
Not enough and the resulting product will not be stable.



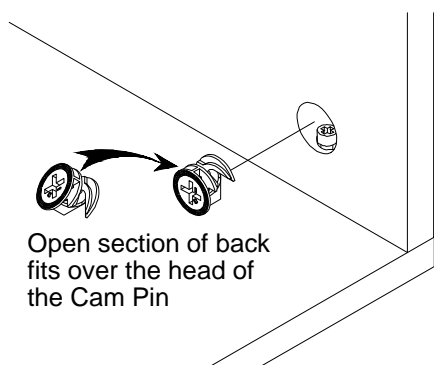
Now fit the hole in the edge of the joining board over the Cam Pin.



The Head of the Cam Pin will be visible in the large hole on the side of the joining board.

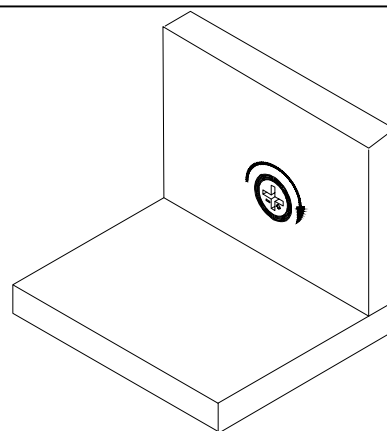


Notice the Cam Lock has a "C" Shaped Back. An arrow or +/- signs on the front indicate the open section on the back of the Cam Pin.

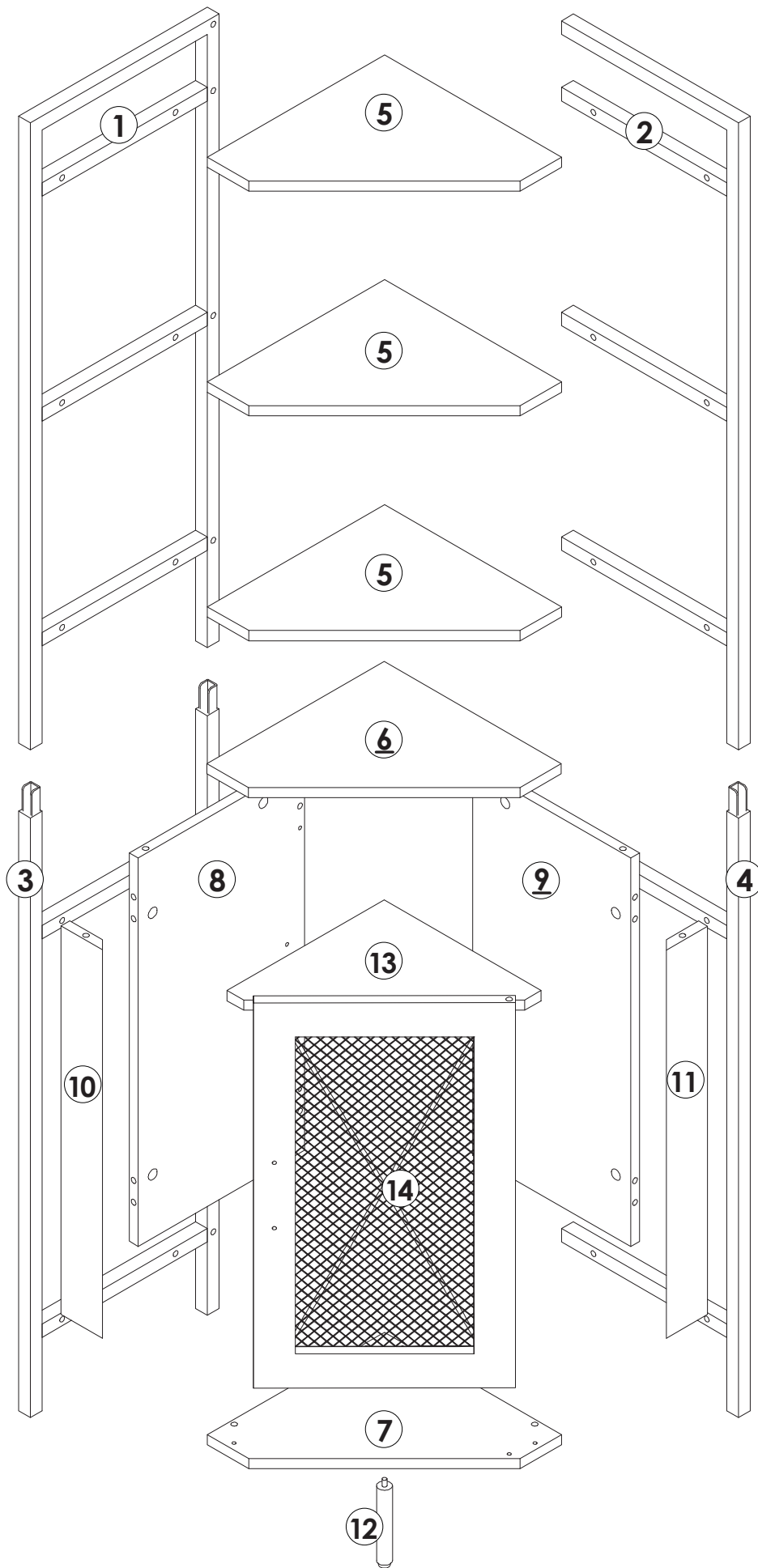


Open section of back fits over the head of the Cam Pin

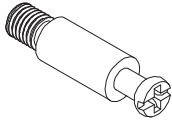
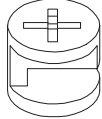
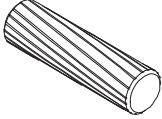
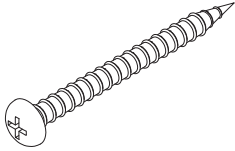
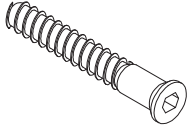
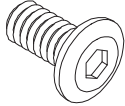
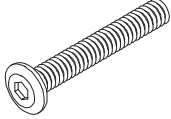
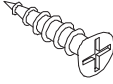
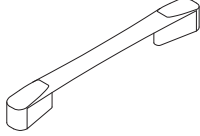
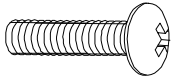
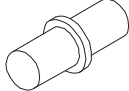
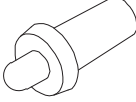
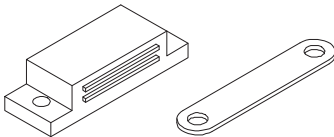
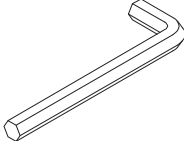
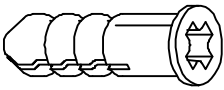
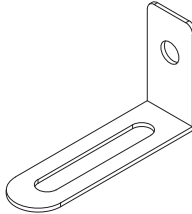
Insert the Cam Lock into the large hole so the opening of the "C" fits over the head of the Cam Pin. You must ensure that the Cam Lock is pushed to the bottom of the hole to catch the top of the Cam Pin.



Use a Flat screwdriver to turn the Cam Lock clockwise one half turn so it locks onto the head of the Cam Pin. Turn only until it is snug. Over tightening could cause the Cam to bend or break. If it will not turn the full amount, turn the Cam Pin out (Counter-clockwise) one full turn, and try the Cam Lock again.

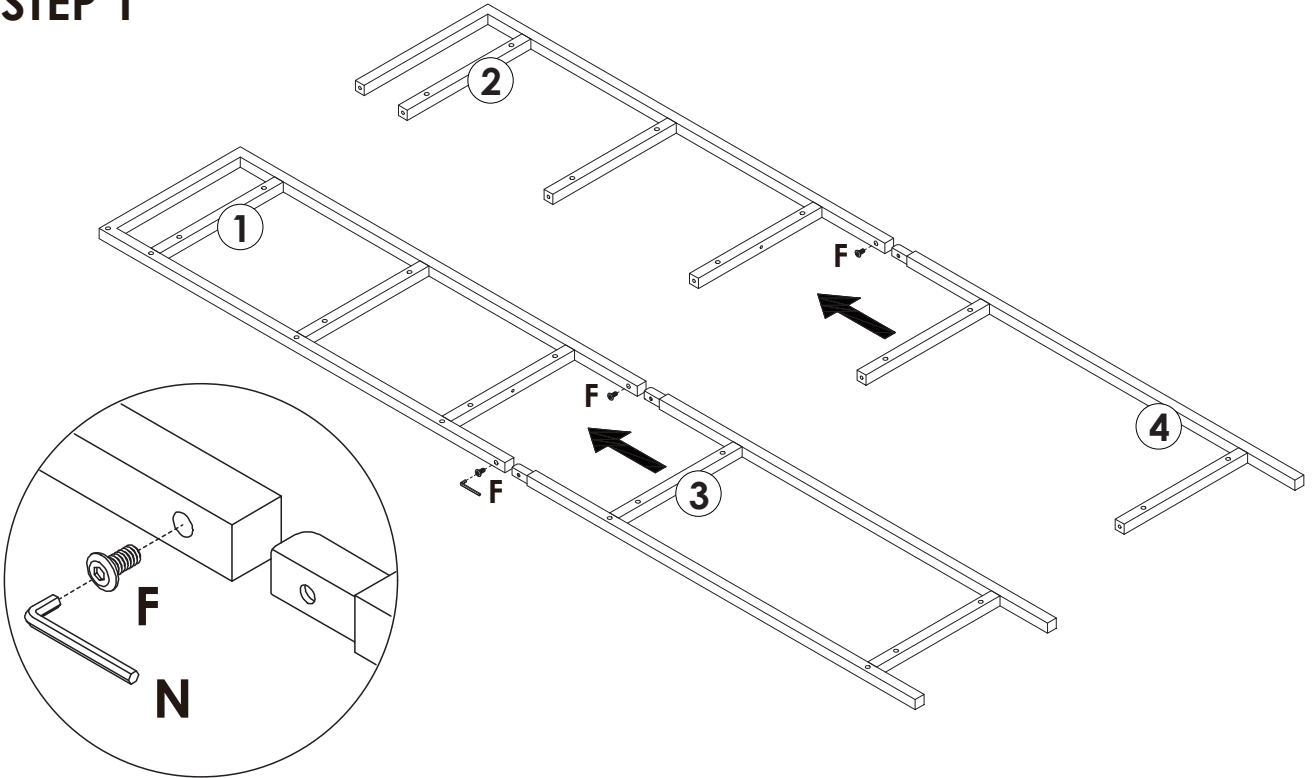




Please note - All Hardware in box 1.

<p>A</p>  <p>M6×33mm 8PCS</p>	<p>B</p>  <p>Ø15×9 mm 8PCS</p>	<p>C</p>  <p>Ø8×30mm 14PCS</p>
<p>D</p>  <p>M4×33mm 4PCS</p>	<p>E</p>  <p>M6×50mm 24PCS</p>	<p>F</p>  <p>M6×12mm 5PCS</p>
<p>G</p>  <p>M6×30mm 6PCS</p>	<p>H</p>  <p>M3×12mm 4PCS</p>	<p>I</p>  <p>1PC</p>
<p>J</p>  <p>M4×19mm 2PCS</p>	<p>K</p>  <p>3PCS</p>	<p>L</p>  <p>2PCS</p>
<p>M</p>  <p>1SET</p>	<p>N</p>  <p>4mm 1PC</p>	<p>O</p>  <p>2PCS</p>
<p>P</p>  <p>2PCS</p>		

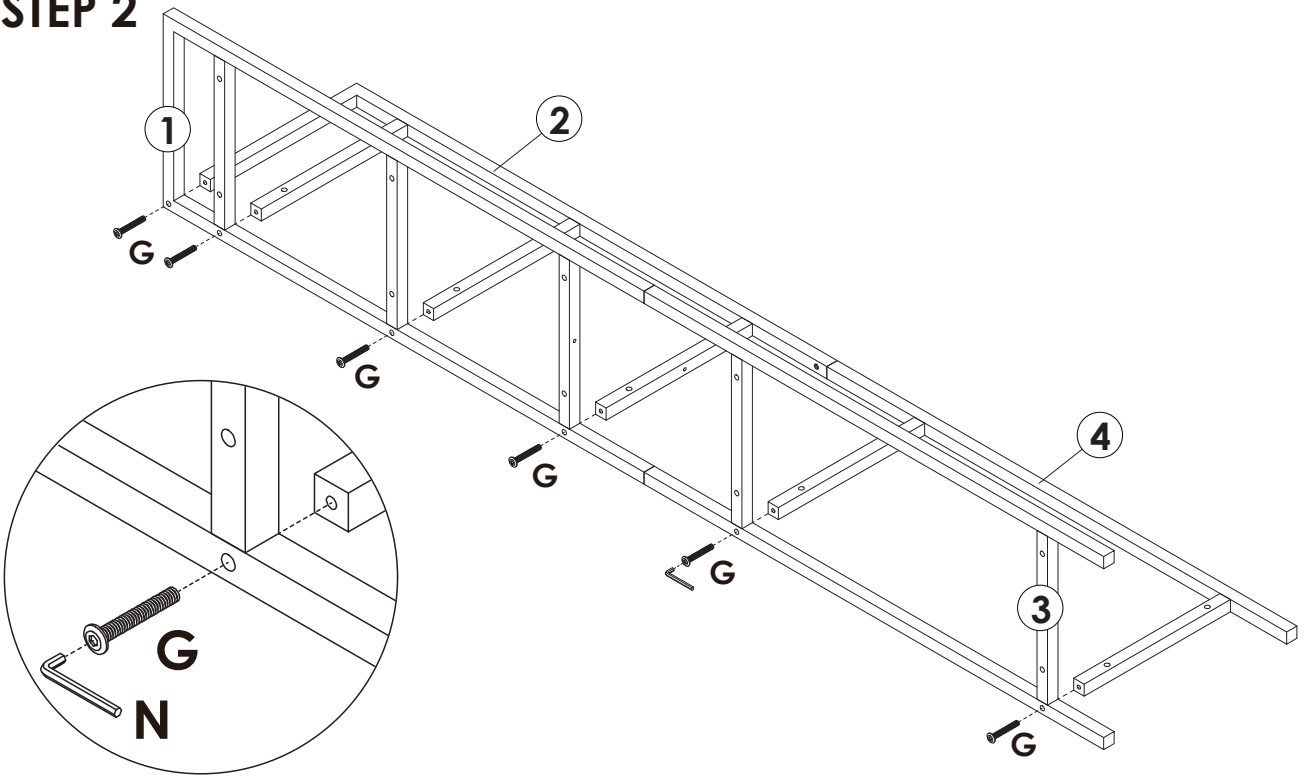


STEP 1



	F x 3PCS
	N x 1PC

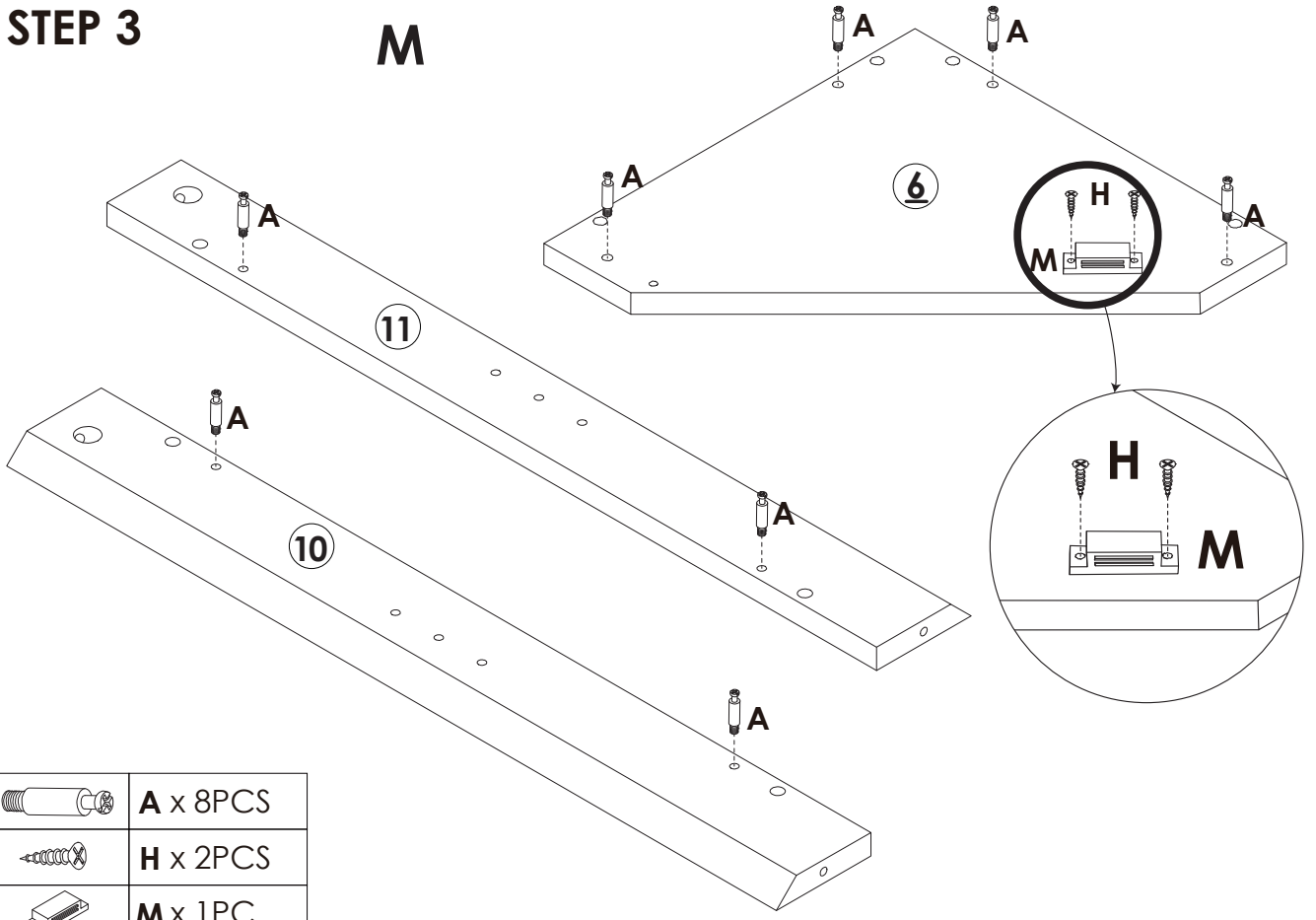
STEP 2






	G x 6PCS
	N x 1PC

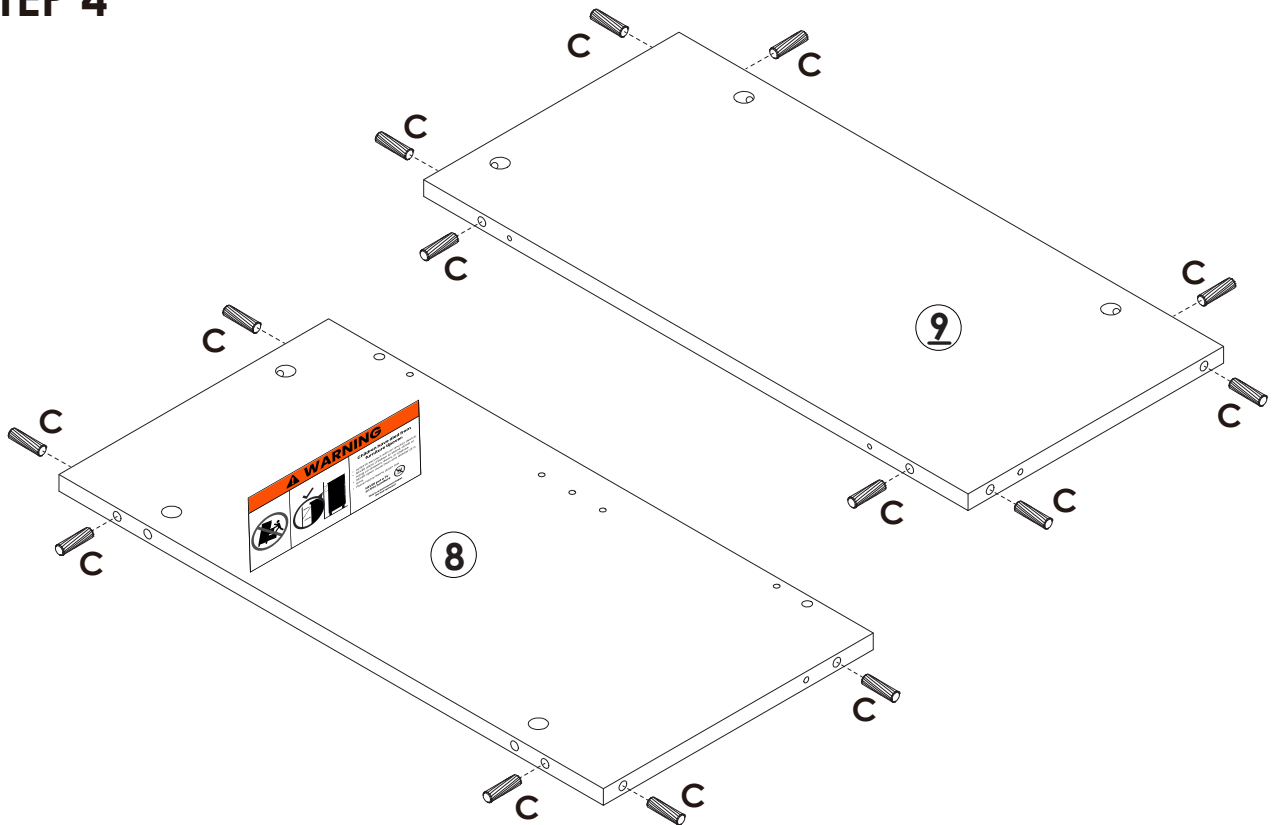
STEP 3

M



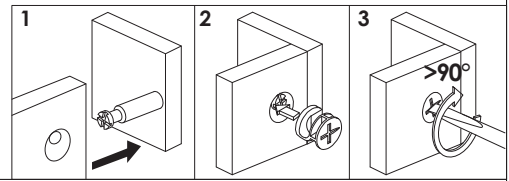
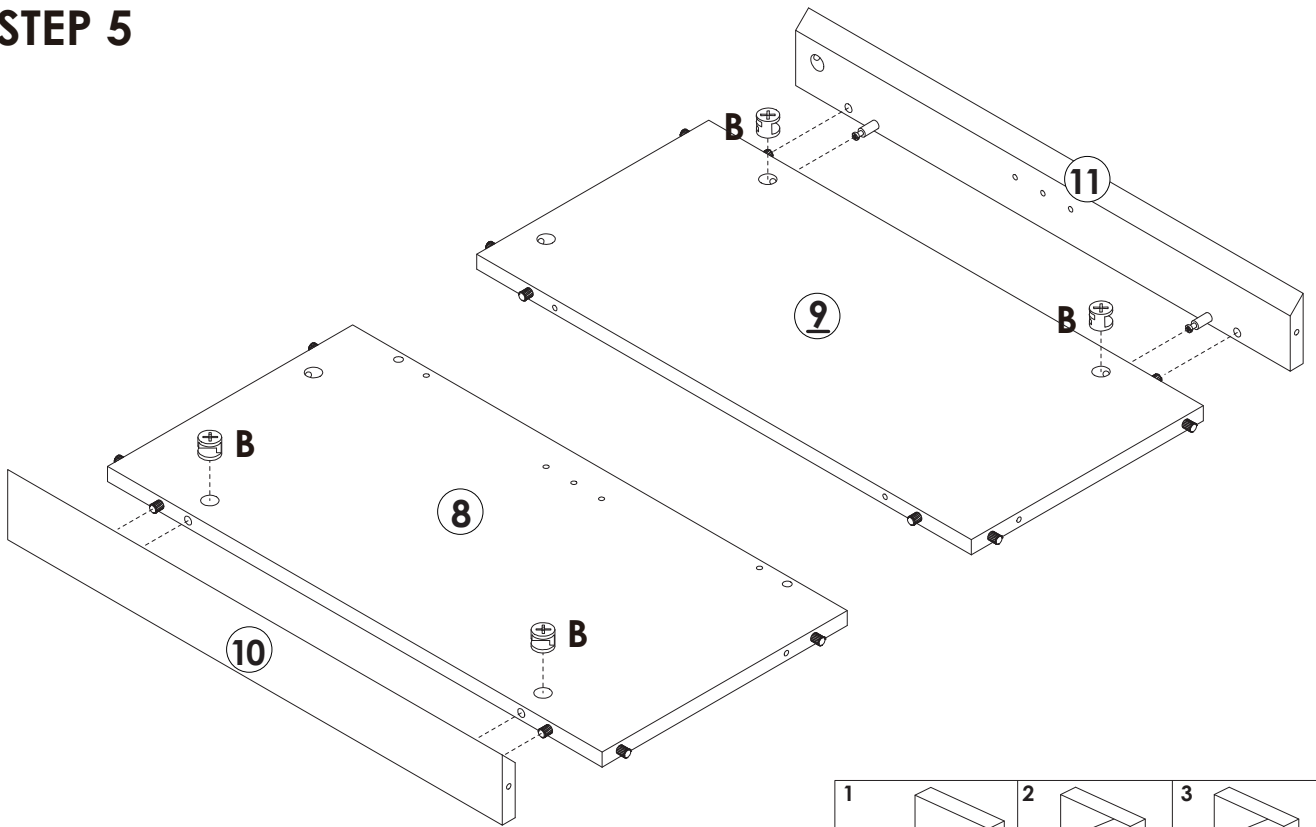
	A x 8PCS
	H x 2PCS
	M x 1PC

STEP 4



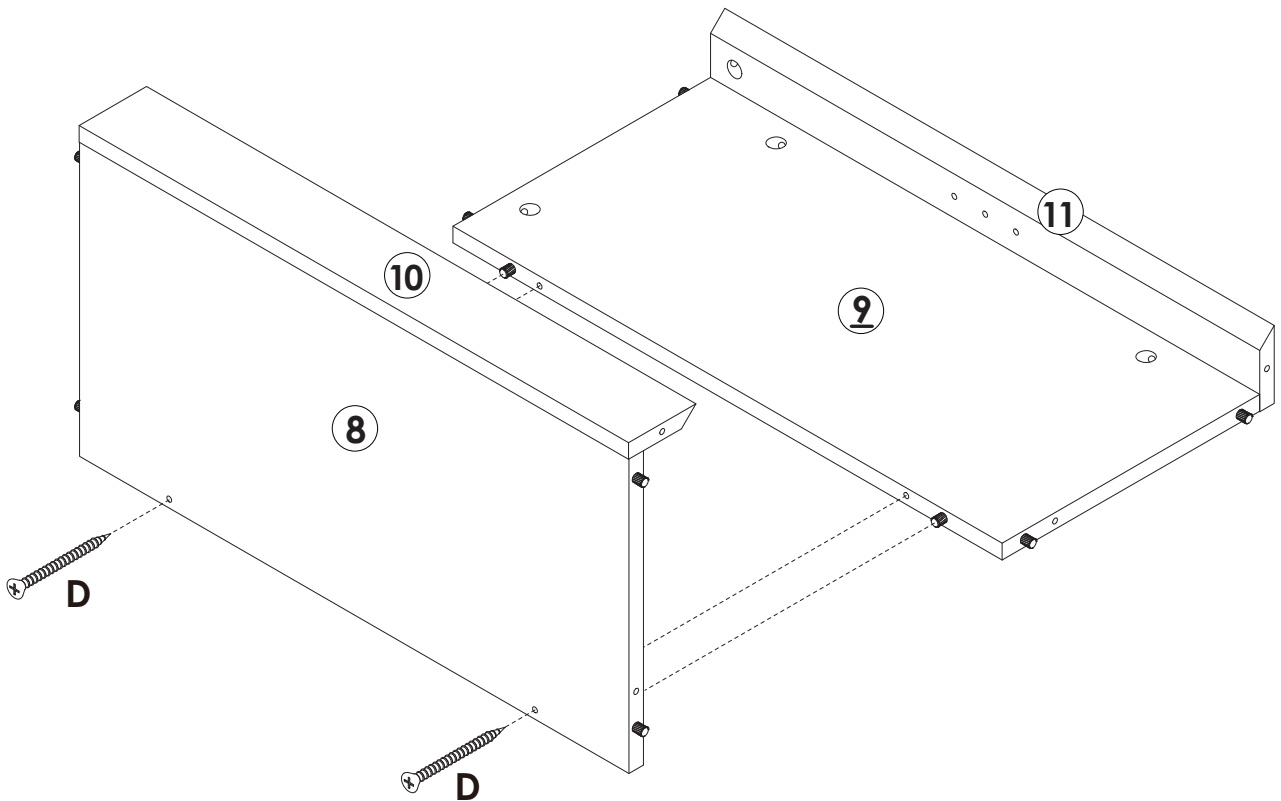
	C x 14PCS
---	-----------

STEP 5



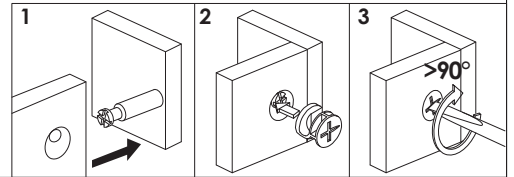
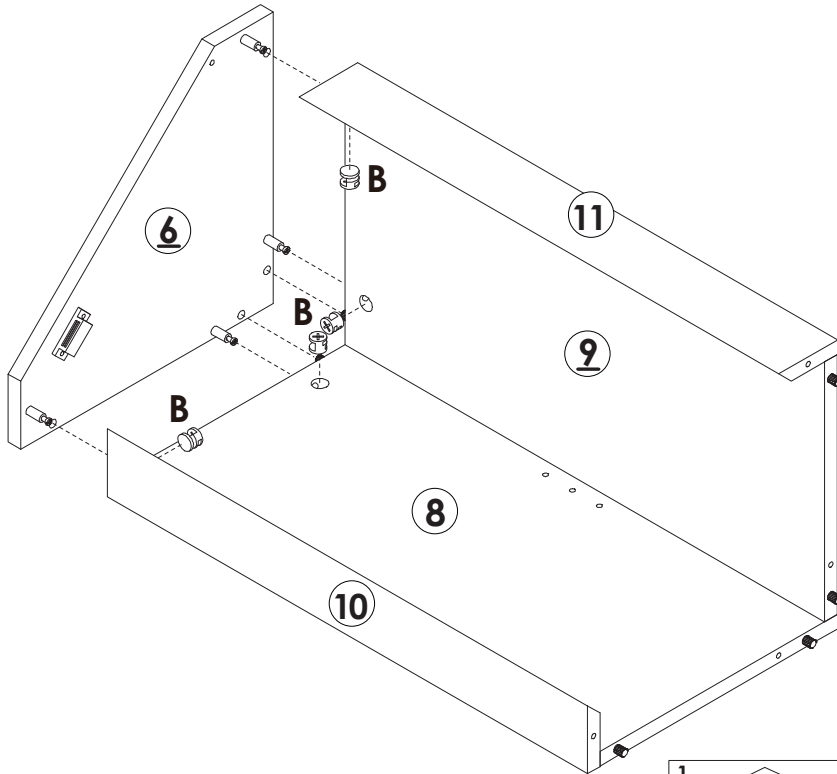
B x 4PCS

STEP 6



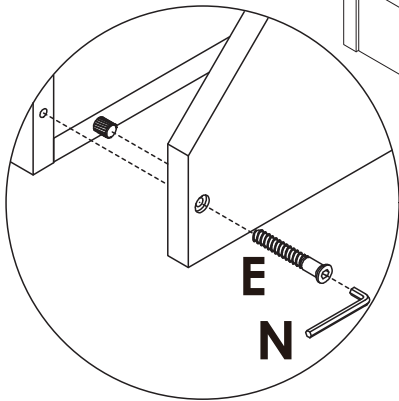
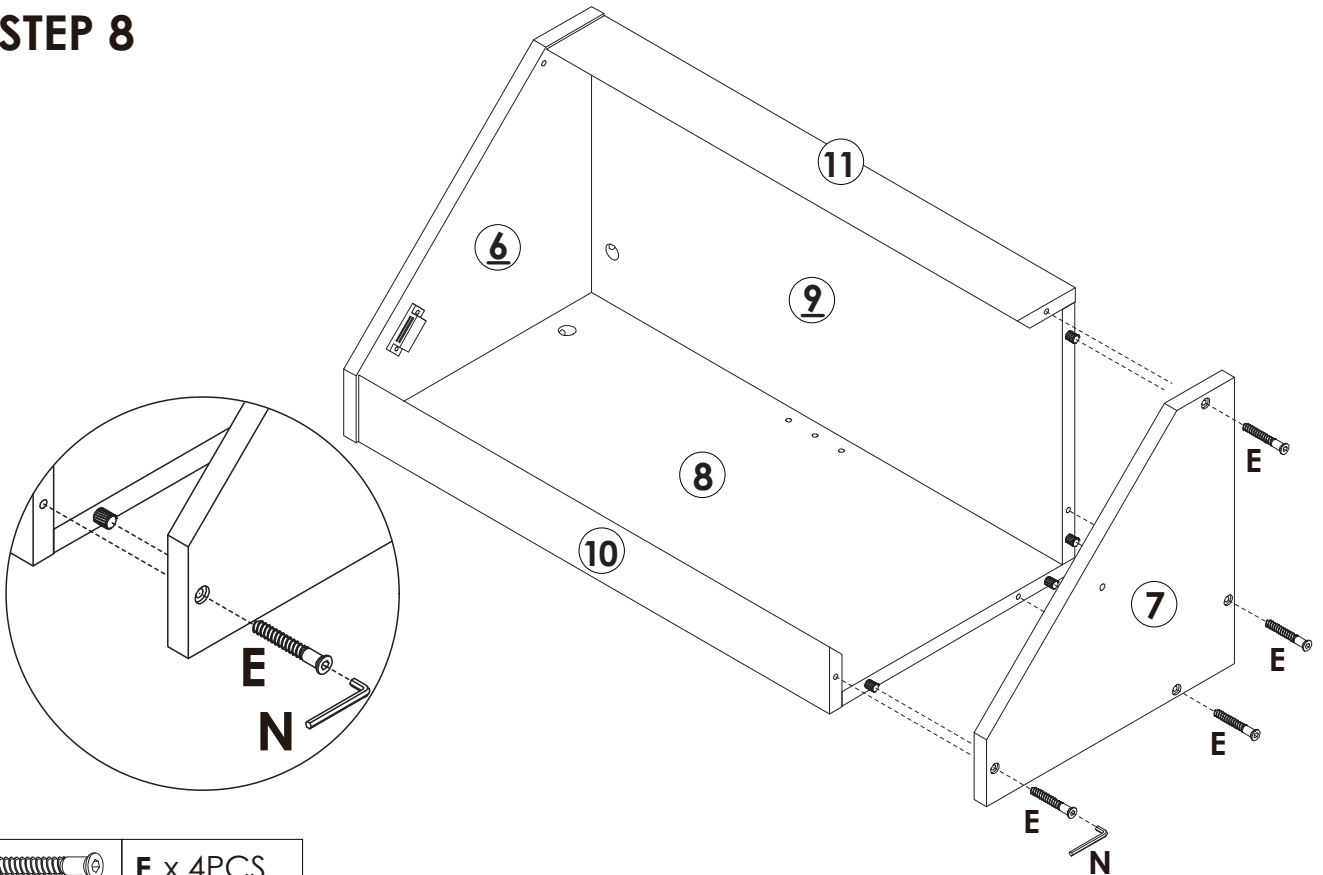
D x 2PCS

STEP 7



B x 4PCS

STEP 8

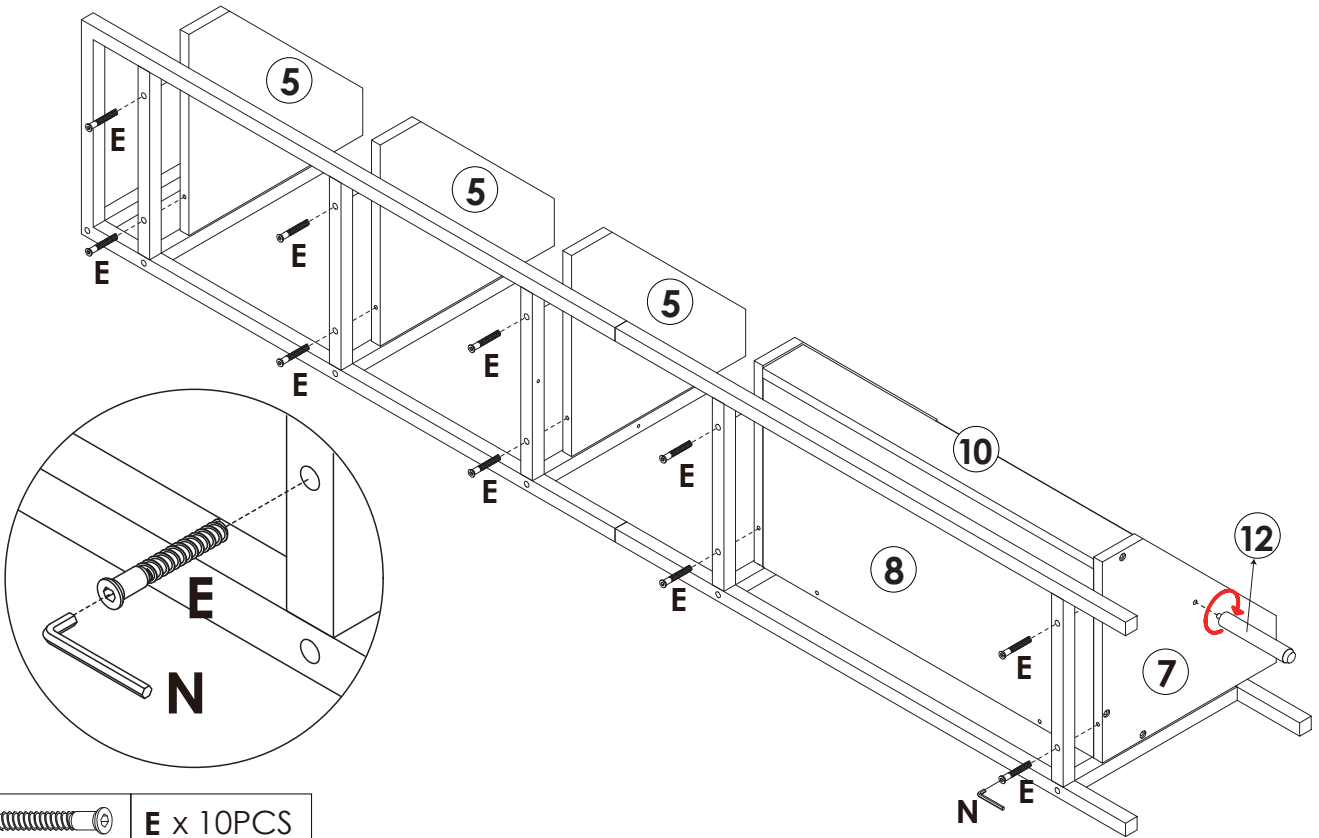




E x 4PCS



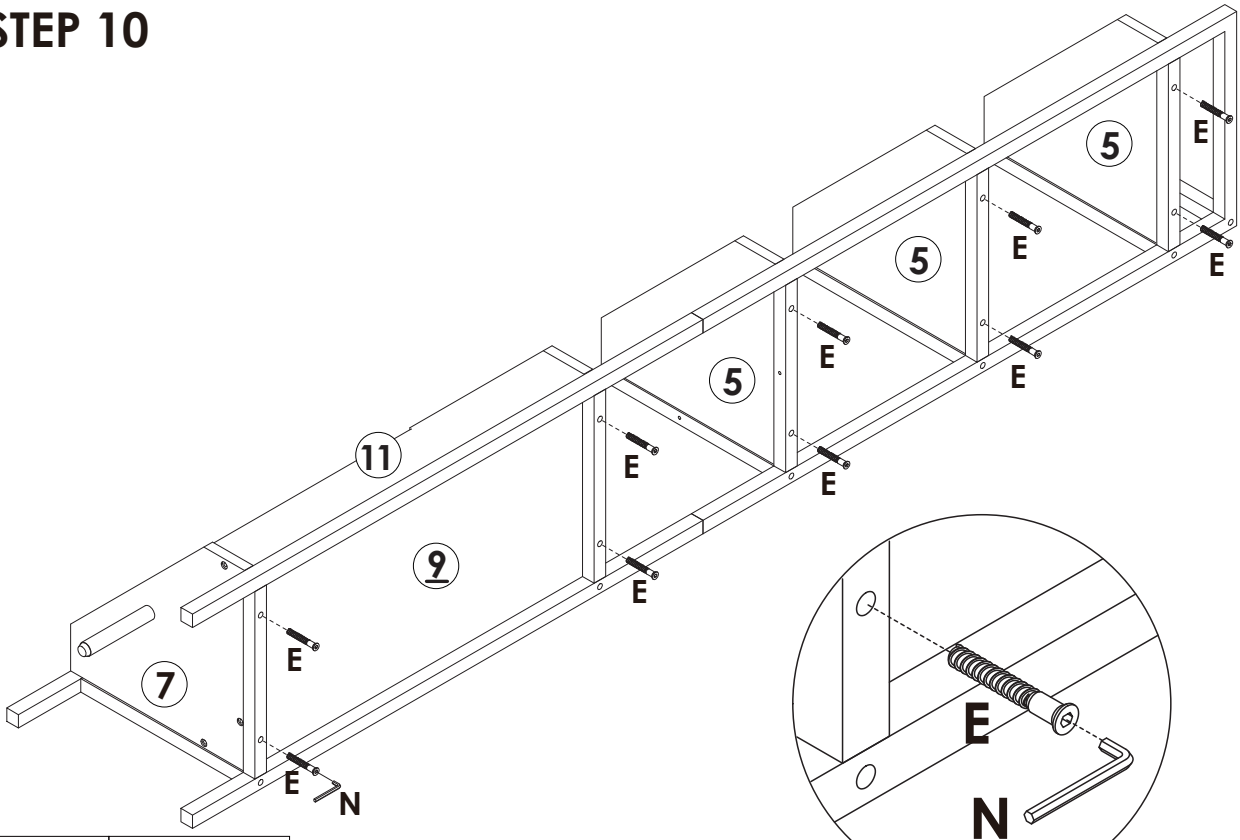
N x 1PC



STEP 9



	E x 10PCS
	N x 1PC

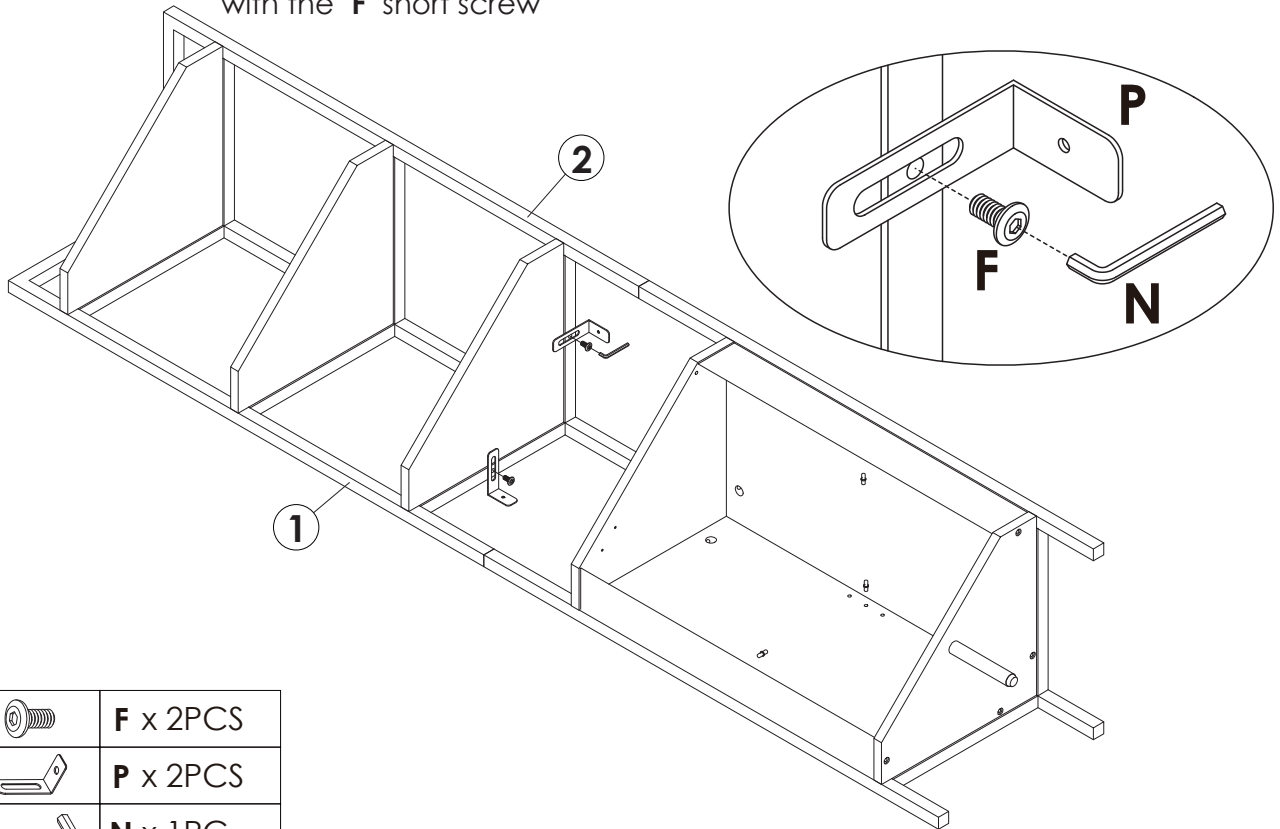
STEP 10


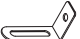



	E x 10PCS
	N x 1PC

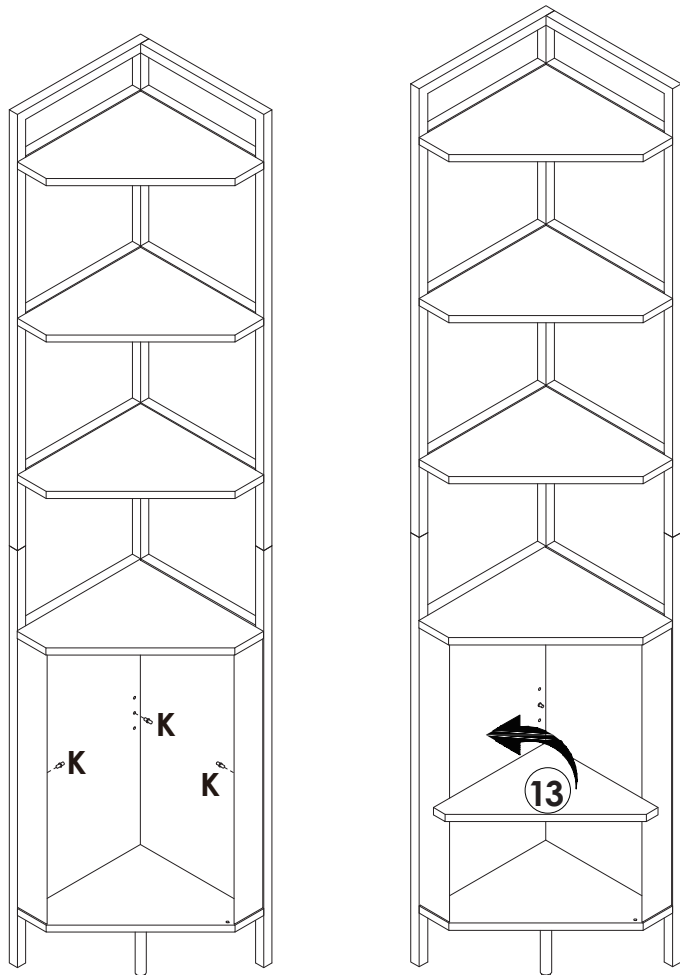
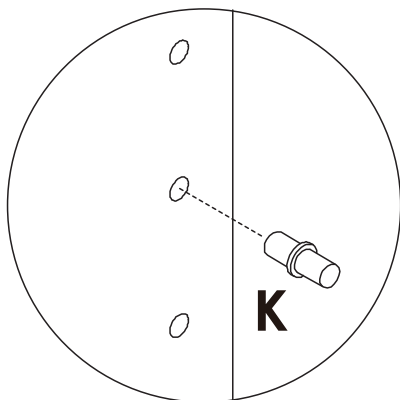
STEP 11

Lock the long side of the "P" L-shaped metal plate to the ① and ② board with the "F" short screw



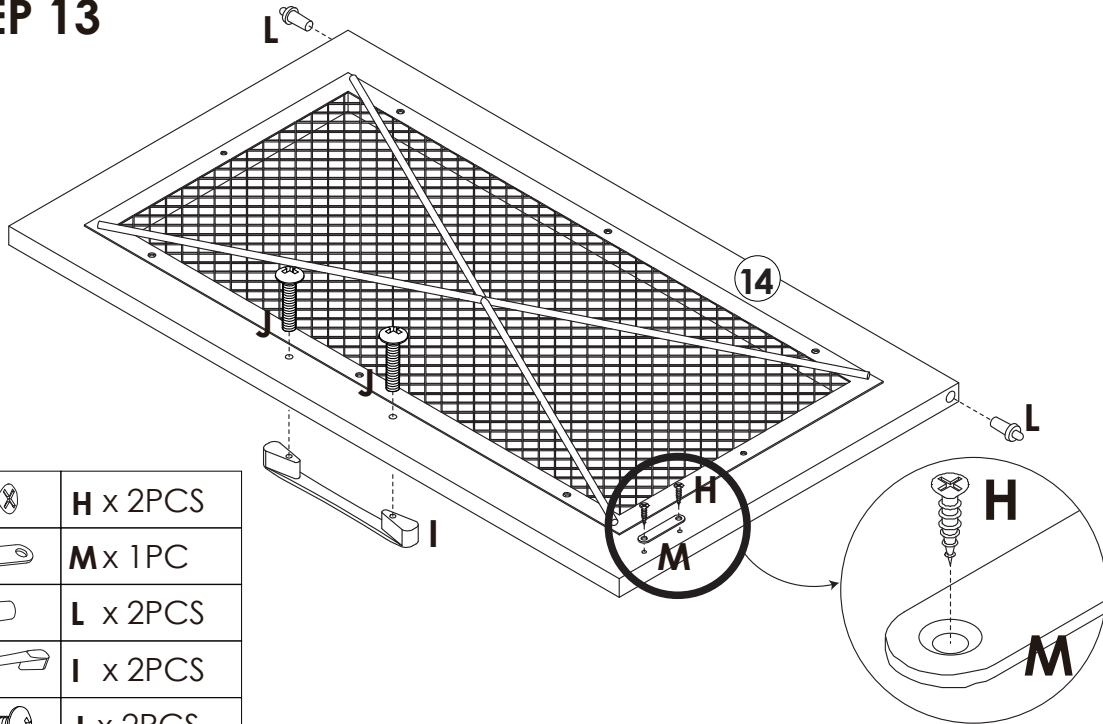
	F x 2PCS
	P x 2PCS
	N x 1PC

STEP 12



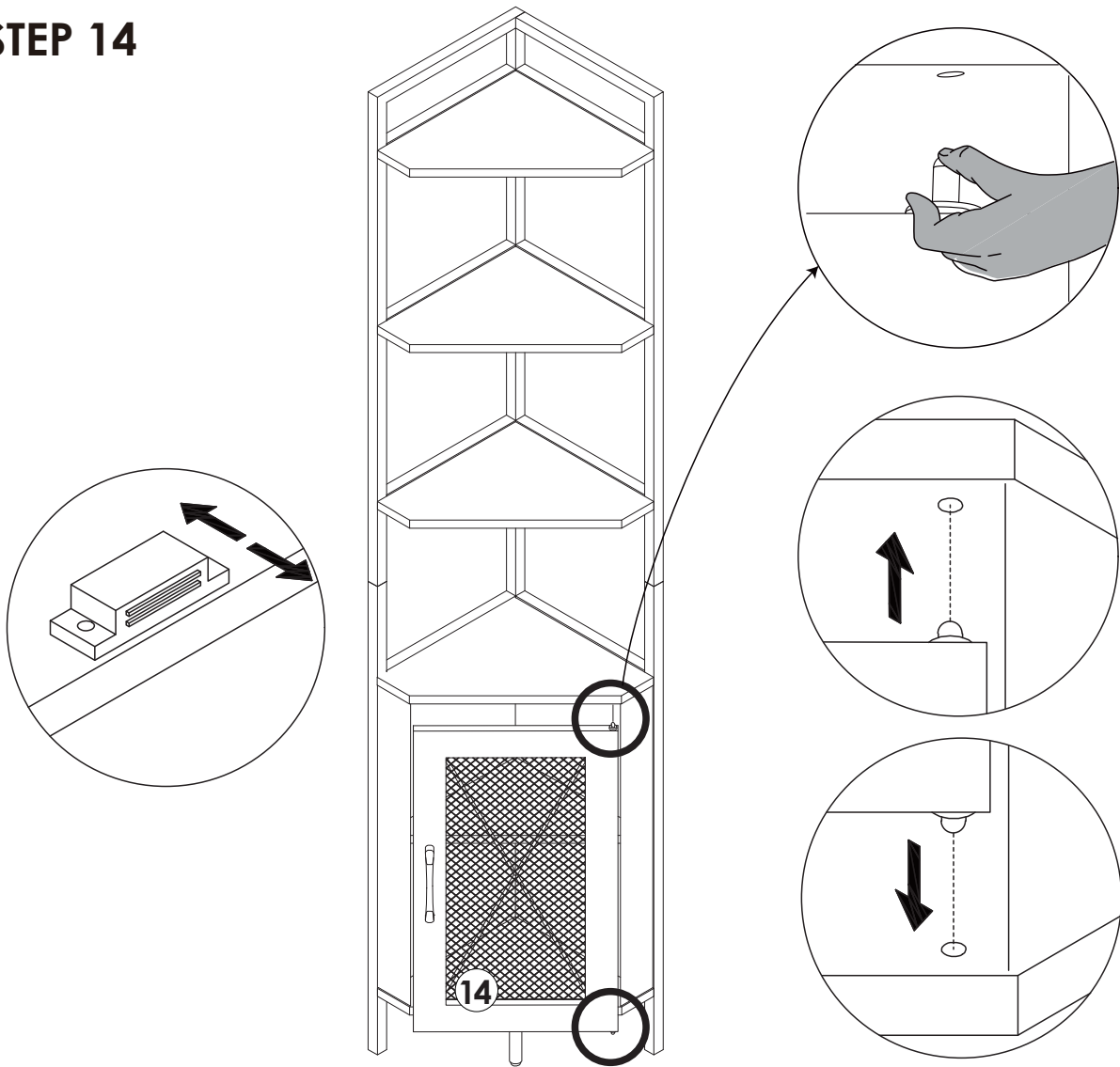
	K x 3PCS
---	----------

STEP 13



	H x 2PCS
	M x 1PC
	L x 2PCS
	I x 2PCS
	J x 2PCS

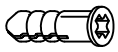
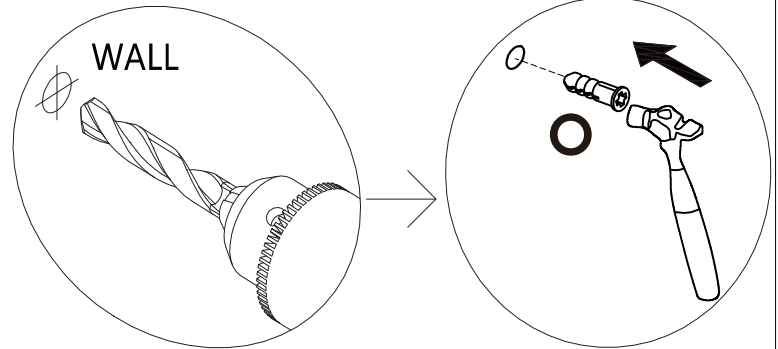
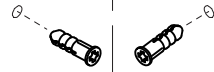
STEP 14



STEP 15

Drill 2 holes on the wall at the required position for anti-falling device installation.

WALL

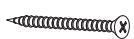
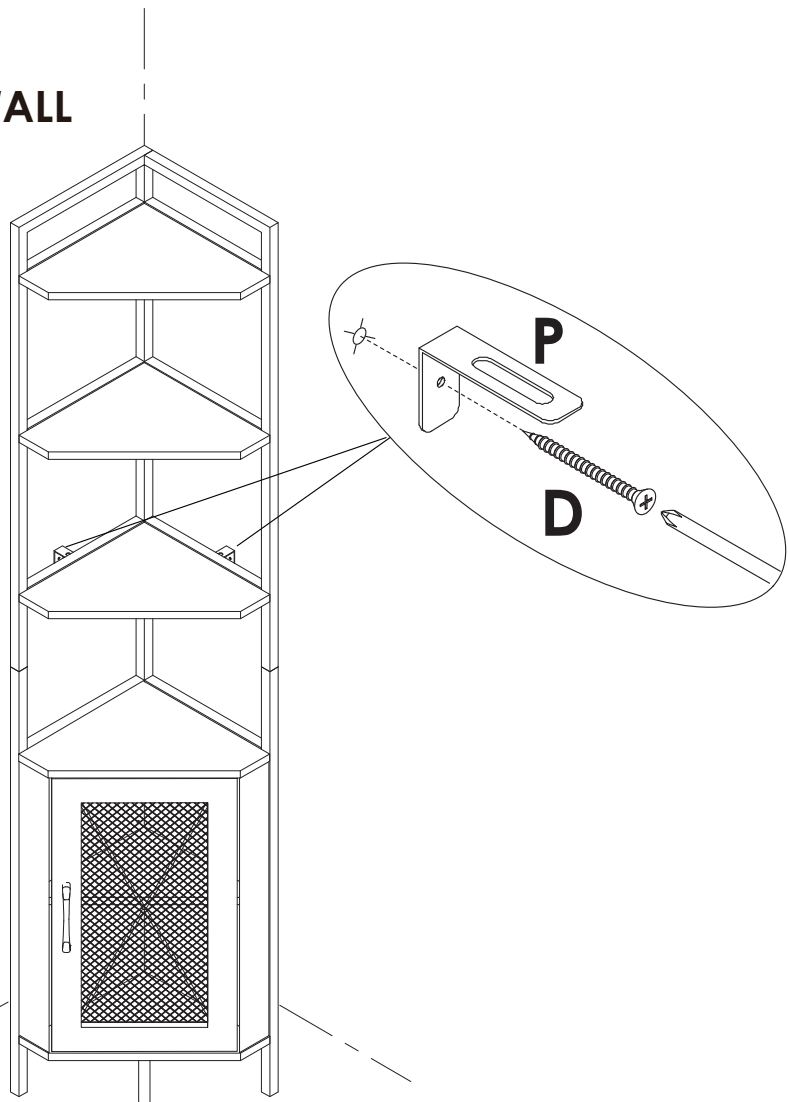


○ x 2PCS

STEP 16

Move the cabinet to the required position, use the "D" long screw to fix the cabinet to the wall.

WALL



D x 2PCS

To protect your furniture, we suggest the following:

- Avoid placing your furniture in direct sunlight.
- Do not place furniture directly under windows.
- Do not place sharp materials (knife, fork, etc.) directly onto your furniture as sharp material may scrape and damage the finish.
- Do not place material with high temperature directly onto the surface surface of furniture.
- Clean up spills quickly. Water left over a prolonged period of time may cause damage. Alcohol, perfume, nail polishes, aftershave and some medication may cause severe finish damage if not cleaned immediately.
- Use a clean, soft, dry, lint free absorbent cloth to clean your furniture. Do not use any detergent as they may contain ingredients that may react and damage the finish.
- **NOTE:** If the above care advise is not adhered to your product warranty may become void.